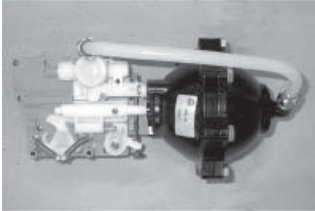


VACUUM TOILET

EVACINCLICKS 1, 2 AND 3 FOR IFÖ TOILETS

The old flush valve is fully interchangeable with EvacInclicks.



5435259
Old IFÖ-flush valve

There are 3 alternatives available:

5350000 EvacInclick 1, 5350020 EvacInclick 2 and 6542341 EvacInclick 3.

How to choose the most suitable model?

EvacInclick 1

P/N 5350000

is most suitable for:

- floor toilets with a flush knob on the porcelain
- wall toilets with a flush knob on the porcelain
- wall toilets with no equipment space in the service trunk

EvacInclick 2

P/N 5350020

is most suitable for:

- wall toilets with a flush knob on the wall
- wall toilets that will be upgraded with a flush knob on the wall

This kit is quick to install, as old fixing console can be utilised.

EvacInclick 3

P/N 6542341

is most suitable for:

- wall toilets that have service trunk access
- wall toilets with a flush knob on the porcelain

This kit has a by-pass function. Service and maintenance is easy, as the kit is installed on the back wall.

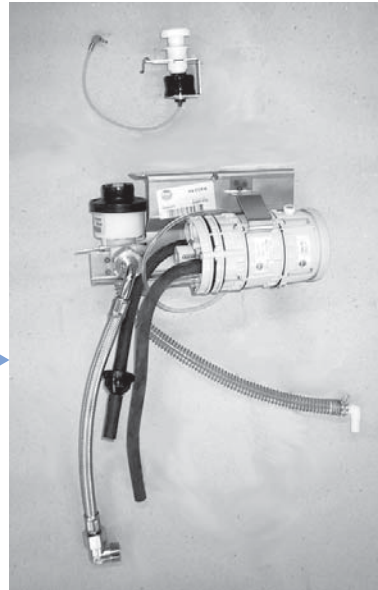
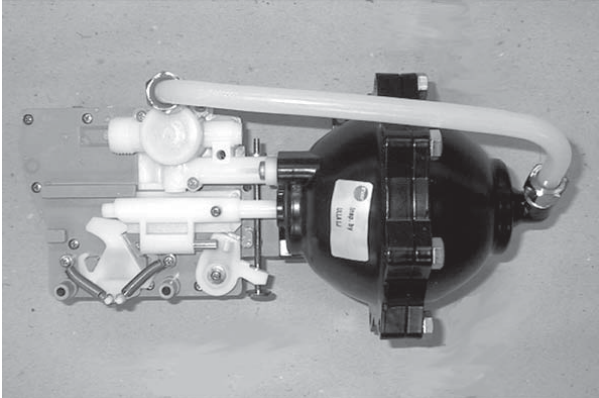
If you are in doubt of the best suitable kit type for your installation, please consult your nearest Evac representative.

VACUUM TOILET

EVACINCLICKS 1, 2 AND 3 FOR IFÖ TOILETS

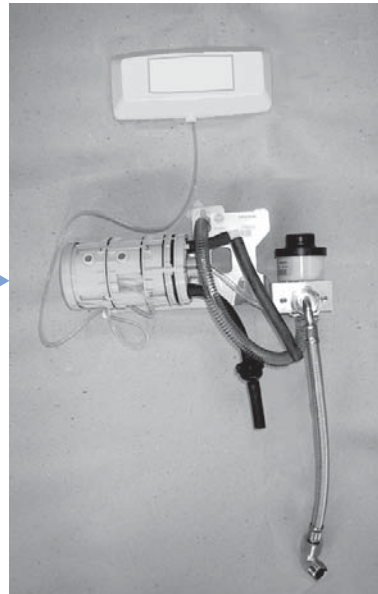
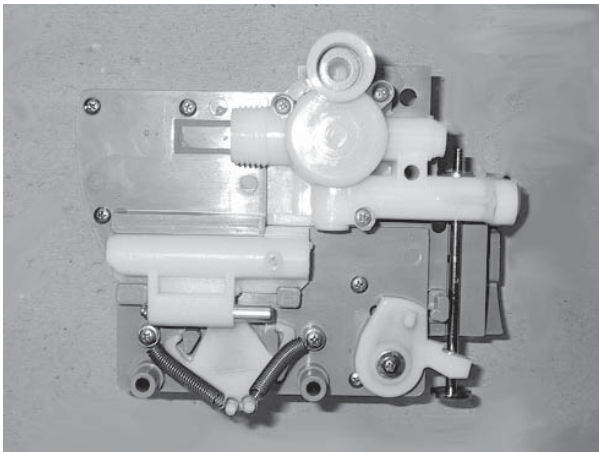
EvacInclicks 1, 2 and 3 on the right replace products on the left.

5435259 Flush valve



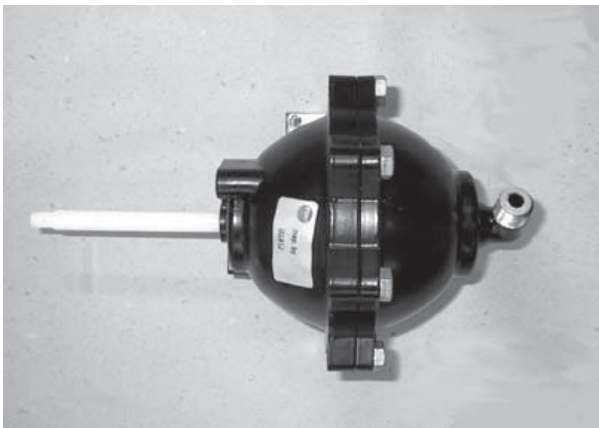
EvacInclick 1
5350000

5435265 Flush valve housing



EvacInclick 2
5350020

5435261 Membrane box



EvacInclick 3
6542341