

6TAGM120 Valve Regulated Lead Acid Battery 12 year design life for EXTREME applications. 12 Volts 120 Ah (C₂₀)

Innovative Features

- Completely maintenance free, sealed construction eliminates the need for watering
- Analytical Grade electrolyte
- Spill proof / leak proof
- Valve regulated Max internal pressure 2.5 psi
- Multi-position usage
- ABS Case and cover - VO on request
- Low self discharge
- FAA and IATA approved as non-hazardous
- Built to comply with IEC 896-2, DIN 43534, BS 6290 Pt4, Eurobat.

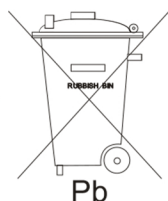


Specifications

Nominal Voltage	12 Volts
Nominal Capacity	120Ah (C ₅ @ 20 °C)
Design Life	12 Years
Operating Temperature	-20 °C to 50 °C
Grid alloy	Calcium / Tin lead alloy
Plates	Flat Pasted
Separator	Absorbant Glass Mat
Active material	Very high purity lead
Case and cover	ABS (VO on request)
Charge Voltage	Float 2.25 - 2.30 VPC @25 °C Cycling 2.35 @25 °C Max. 2.4 VPC Max ripple 0.05C (A)
Electrolyte	Sulphuric acid Analytical grade purity
Venting Valve	EPDM Rubber 1.5 to 2 psi (10.5 - 14 KPa) release pressure. Resealing at 1 psi (7 KPa)
Terminal	SAE Automotive. Epoxy sealed by extended mechanical paths
Torque setting	The recommended torque value for all types is 5-7 Nm
Cables	Connectors, cables, terminal covers on request.

Sealed Lead Acid 12 Volt AGM RANGE
PRODUCT SHEET 6TAGM-120

12V
AGM



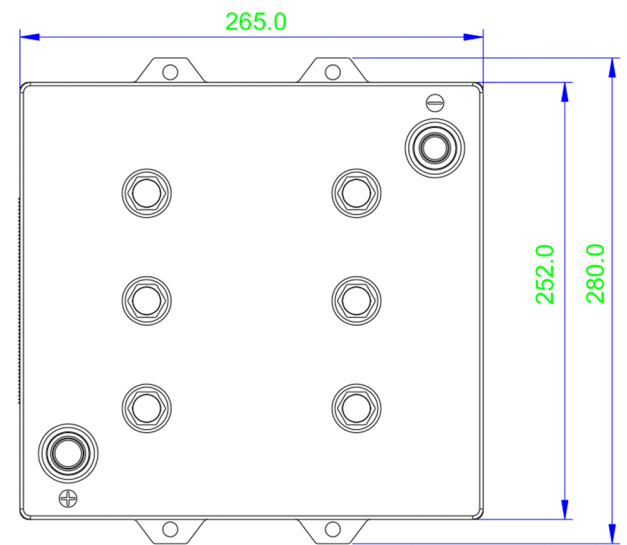
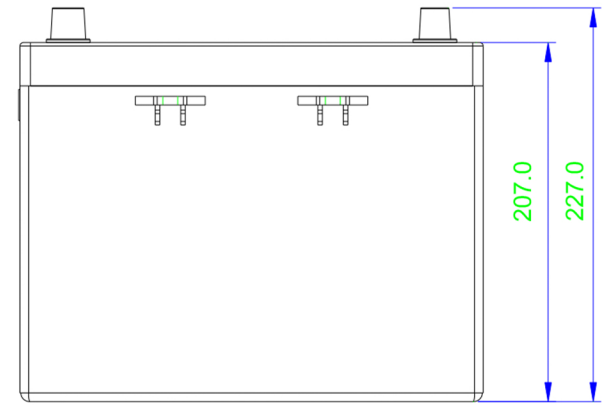
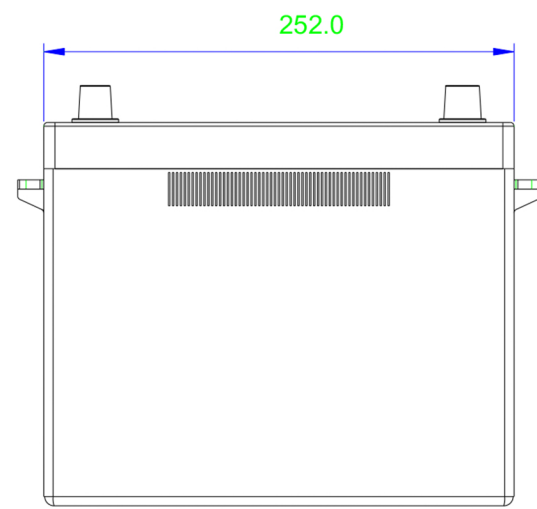
CBB Battery Company keenly encourages environmental awareness; PLEASE follow guidelines for the recycling /disposal of lead.

Specifications

Nominal Voltage		12V	
Nominal Capacity		120 Ah	
Dimensions	Total Height	207 mm	8.15 inches
	(Inc. terminals)	227 mm	n/a inches
	Length	265 mm	10.43 inches
	Width	252 mm	9.92 inches
	Weight	38.2 Kg	84.42 lbs

Characteristics

Capacity 20 °C (68 °F) To 1.75 volts	20 hour rate	120.8 Ah
	10 hour rate	111.0 Ah
	5 hour rate	103.7 Ah
	1 hour rate	80.1 Ah
	15 min rate	52.8 Ah
	Internal Resistance	3.3 mOhms
Capacity correction for Temperature Variations (C20)	40 °C (104 °F)	102%
	20 °C (68 °F)	100%
	0 °C (32 °F)	85%
	-15 °C (5 °F)	65%
Self-Discharge 20 °C (68 °F)	Capacity after 1 months storage	98%
	Capacity after 3 months storage	94%
	Capacity after 6 months storage	86%
CCA @ -18°C Amps	650	
MCA @ 0°C Amps	911	
Terminal	Standard	16mm Insert M6 thread
	Optional	Cu Flag
Charging (Constant Voltage)	Cyclic	2.35 - 2.40 VPC (20-25°C)
	Float	2.27 - 2.30 VPC (15-25°C)



Constant Amps Discharge - Amps @20°C

End V per Cell	5M	10M	15M	20M	25M	30M	35M	40M	45M	60M	90M	2 hr	3 hr	4 hr	5 hr	8 hr	10 hr	12 hr	20 hr
1.90	234	187	155	134	120	109	98.1	90.0	83.1	67.0	49.7	39.6	28.3	22.2	18.4	12.1	9.91	8.39	5.28
1.85	283	218	179	153	135	121	110	99.7	92.1	74.5	54.3	42.9	30.7	24.0	19.8	12.9	10.6	8.98	5.69
1.80	322	242	201	169	147	130	117	106	97.3	77.6	56.3	44.4	31.7	24.8	20.3	13.3	10.8	9.23	5.91
1.75	344	257	211	178	154	136	122	110	101	80.1	57.9	45.7	32.5	25.3	20.7	13.6	11.1	9.43	6.04
1.70	367	268	217	182	157	138	124	112	102	81.4	58.7	46.5	33.0	25.7	21.1	13.8	11.3	9.61	6.16

Ampere Hour @20°C

End V per Cell	2 hr	3 hr	4 hr	5 hr	8 hr	10 hr	12 hr	20 hr
1.90	79.1	84.8	88.8	91.8	96.7	99.1	101	106
1.85	85.8	92.0	96.0	98.8	103	106	108	114
1.80	88.9	95.0	99.1	102	106	108	111	118
1.75	91.3	97.5	101	104	109	111	113	121
1.70	92.9	99.1	103	105	110	113	115	123

The Quality & Management system & facility governing the manufacture of this product are ISO 9001:2000 and ISO 14001:2004 certified.

